

Wing ribs
1/32" sheet

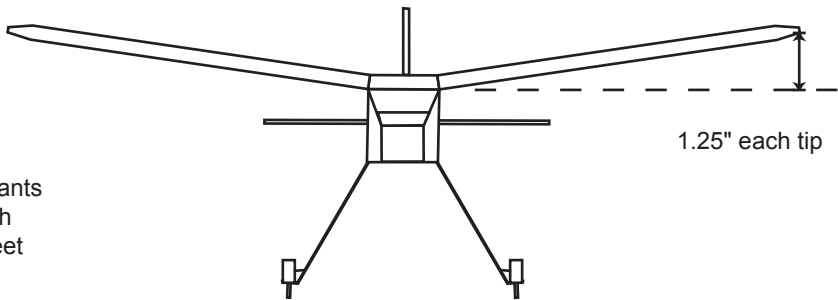
bottom rung
top rung

Single blade folder is built with 1mm wire and balsa prop. Place a catch pin in nose plug to stop the prop and allow the blade to fold back on top of fuselage. Gravity and wind will keep it folded back. Folders can not be used in embryo endurance competition but I use it for sport flying and to decrease drag.

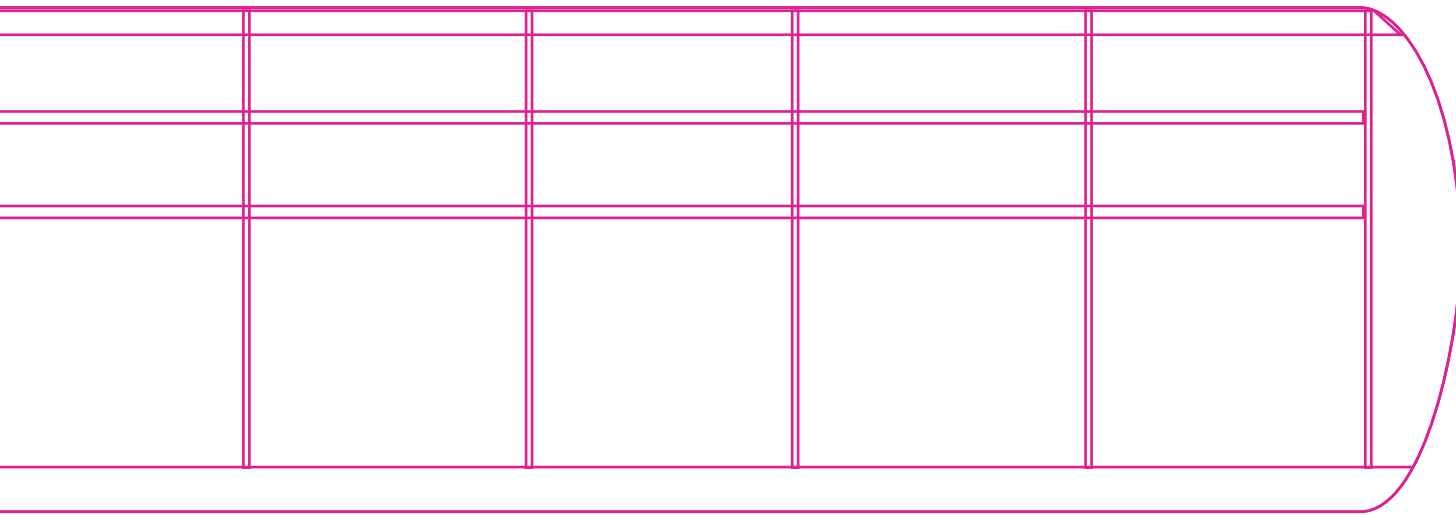
Two 1/32" sheets laminated wheels, use aluminum tube for the hub



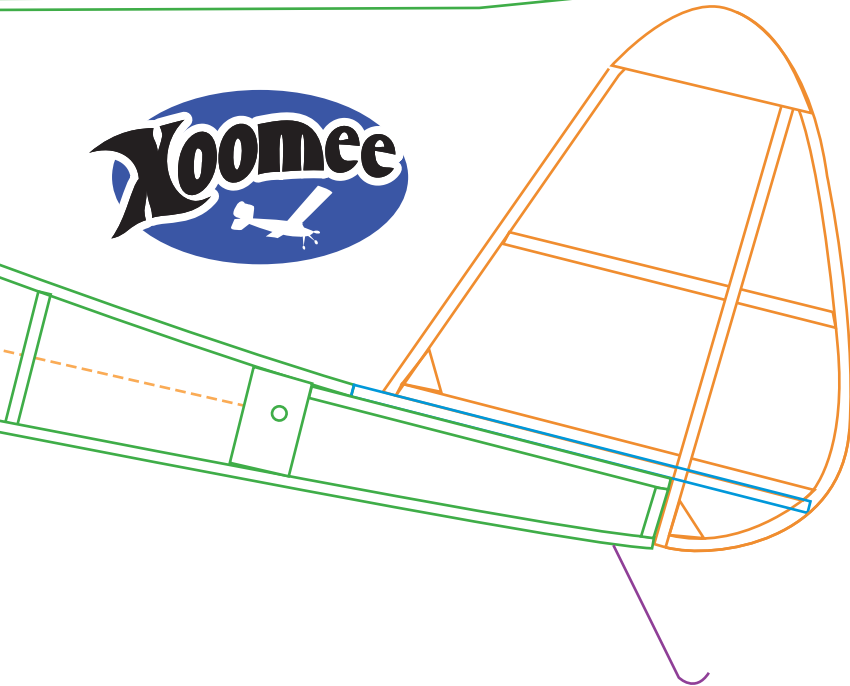
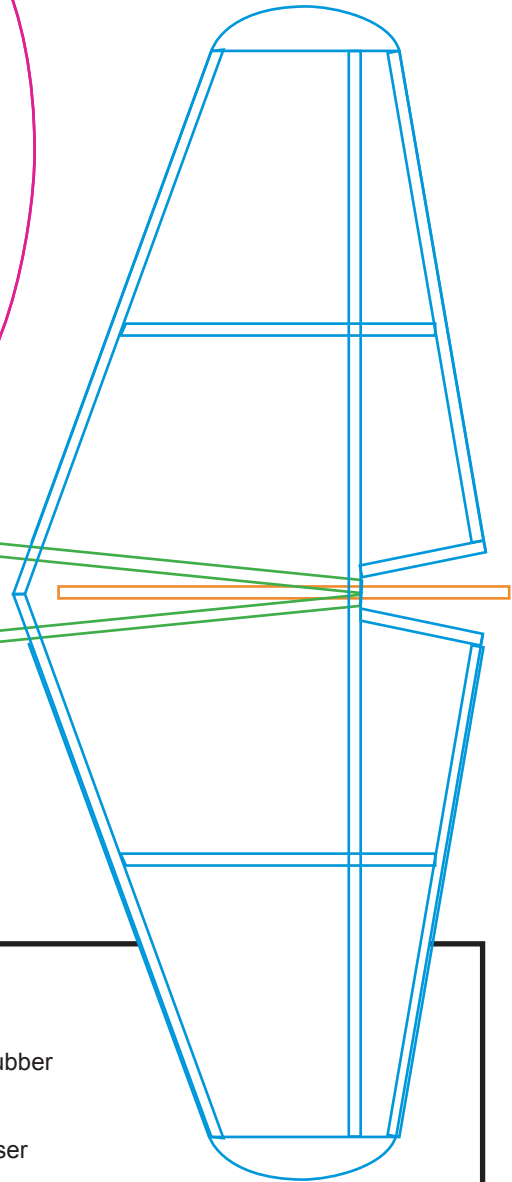
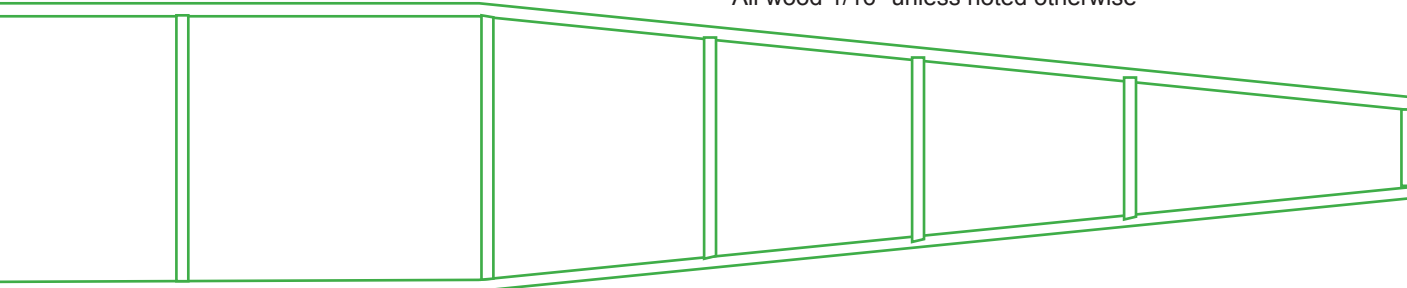

wheels pants
made with
1/32" sheet



1.25" each tip



All wood 1/16" unless noted otherwise

Wingspan: 17"
 Length: 14"
 Weight: 1.1 oz with rubber

Designed and
 Drawn by: Kenny kaiser

STINK BUG V2